

# Compliments of www.StroboFlash.com

## NOTES

A> Use ISO/ASA Adjust to calibrate at ISO 200 and F22

B> Use Photocell Compensation to Adjust at lower end i.e f 5.6

Repeat A and B until upper end and lower end are on the correct f stop.

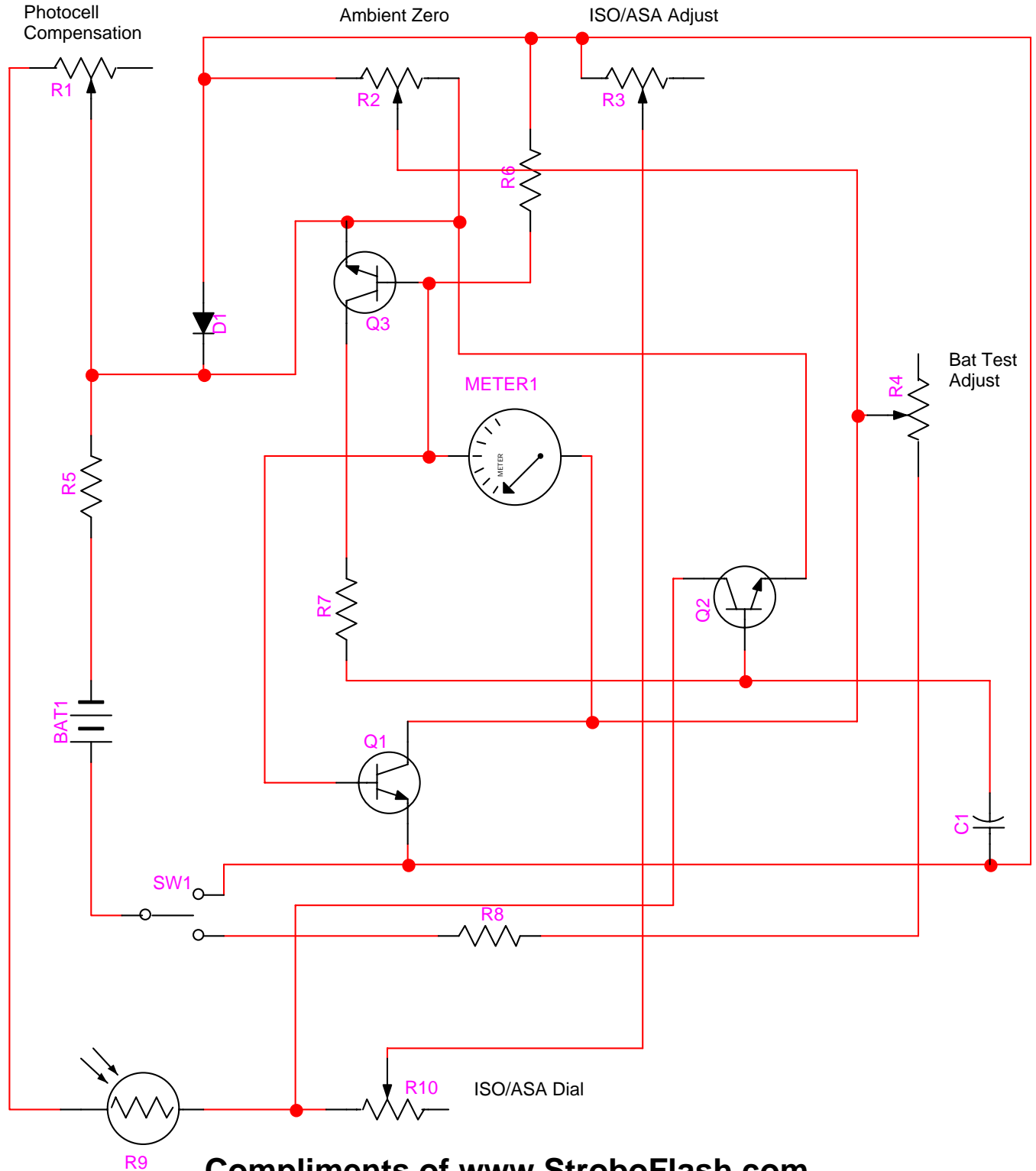
## Battery Test Adjust

Put a fresh alkaline cell in and adjust Bat. Test to f 22 when SW is in Test position

## Ambient Zero:

Adj. to zero with sensor covered and switch set to ON

Transistor pinouts are probably not correct. Schematic is just for circuit undersatnding purposes.



Compliments of www.StroboFlash.com